

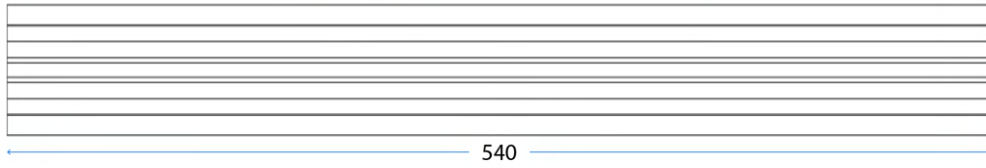
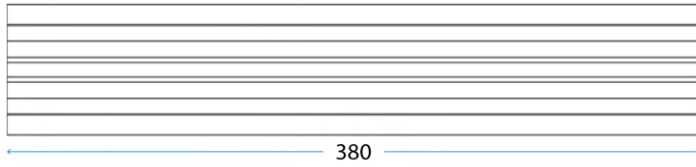
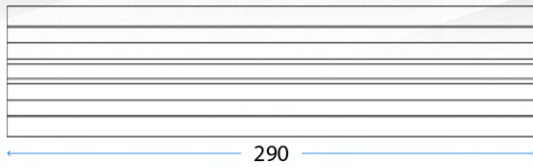
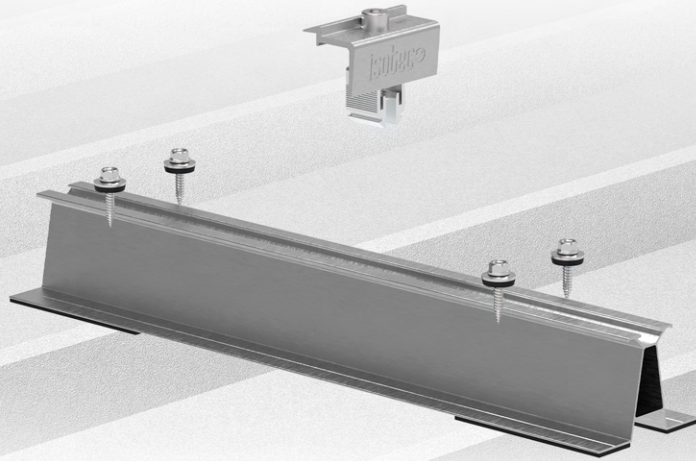


## **I S O T R A P   S 5 0**

Trapezoidal & Sandwich Roof Mounting System

- New optimized design
- Economical and robust solution
- 3 profile length available

# ISOTRAP S50



Available in different lengths:  
290 mm, 380 mm, and 540 mm.



EasyClamp Middle  
EasyClamp End



ISOTRAP S50 Rail



EPDM



Waterproof Rivet  
Self drilling Screw

## Technical Data

Scope of application	Trapezoidal and sandwich covered roofs
Compatible Solar Panel	L : 1.500 mm - 2.384 mm W : 990 mm - 1.330 mm H : 30 mm - 45 mm
Fixation	Self-drilling screw / Rivet
Materials	Profile, clamp : Aliminium 6063 - T66 Rubber : EPDM Fasteners : Stainless A2 - 70 & Bimetal
Technical specifications	Used in vertical layouts.